

**AC Input :**

VOLTAGE : 90~132 or 185~260V, (115/230 auto)

FREQUENCY : 50/60Hz

INPUT CURRENT : 8A/4A For 115/230VAC

INRUSH CURRENT : 60A/80A MAX FOR 115/230

DC Output :

OUTPUT VOLTAGE	OUTPUT CURRENT		REGULATION		OUTPUT RIPPLE & NOISE MAX. [P-P]
	MIN (A)	MAX (A)	LOAD	LINE	
+5V	3	40	±5%	±1%	50mV
+12V	2	20	±5%	±1%	120mV
-5V	0.1	0.3	±10%	±1%	150mV
-12V	0.1	0.8	±10%	±1%	150mV
+3.3V	1	20	±5%	±1%	50mV
+5VSB	0.1	2	±5%	±1%	50mV

The combined output power +5V&+3.3V shall not exceed 200W.

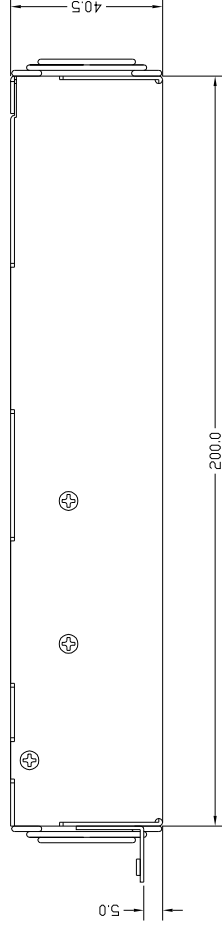
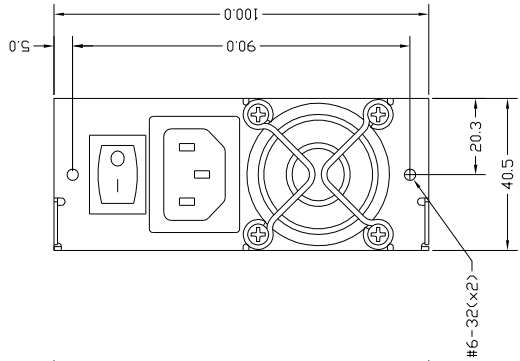
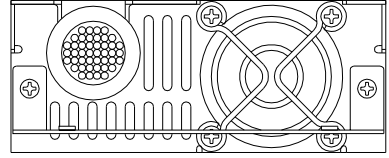
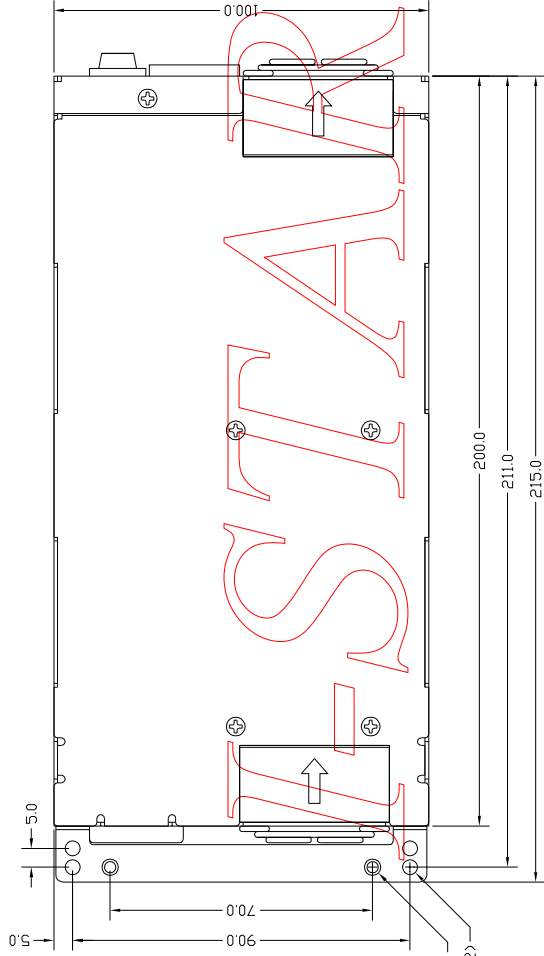
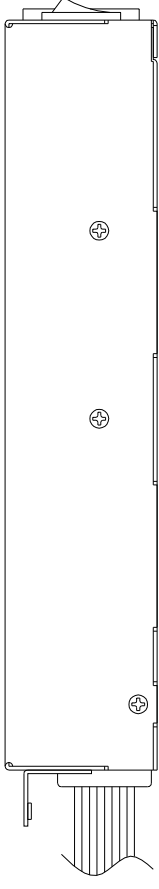
The total power shall not exceed 400W.

Features...

- ◎ TEMPERATURE RANGE : Operation 0°C ~ 50°C
- ◎ HOLD UP TIME : 16ms at maximum load & normal input voltage
- ◎ EFFICIENCY : 68% TYPICAL (Normal Line)
- ◎ POWER GOOD SIGNAL : Should be asserted high to indicate that+5VDC and +3.3VDC output are above the low voltage thresholds. Compatible signal out with 100ms to 500ms.
- ◎ OVER POWER PROTECTION : The power supply shall shut down output power exceeds 130% to 160%
- ◎ OVER VOLTAGE PROTECTION : Standard on +5.0V, set at 6.25VDC ± 0.75VDC
- ◎ SHORT CIRCUIT PROTECTION : A short circuit placed between the DC return and the output shall cause no damage and the power supply shall shutdown.
- ◎ EMI : FCC part 15, subpart B, Class B, EN55022 CISPR22 Class B.
- ◎ GAENCY APPROVALS : UL60950, CAN/CSA22.2 No.60950, TUV(IEC60950)
- ◎ MTBF OF POWER SUPPLY ELECTRONNIS : 100,000 hours at 25°C.
LIFE EXPCTANCY OF FAN 40,000 hours at 40°C
- ◎ COLLING : By forced air 2x40mm Fan
- ◎ DIMENSION : D200 X W100 X H40.5mm

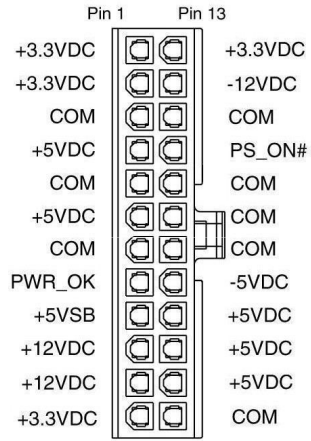
REVISIONS

REV	DESCRIPTION	SIGN	DATE



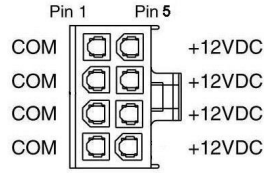
TOLERANCES		MATERIAL		UNIT		PART NO	
.X = +/-	0.25	REMARK	SCLAE	mm	1:1	MODEL	TC-1UXX
.XX = +/-	0.100	APPD	DWG NO.	CKD	DRAWN	NAME	I-STAR COMPUTER
				SHEET	DF	DATE	

PINOUPS OF CONNECTORS

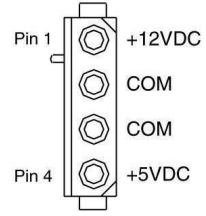


Main Power Connector

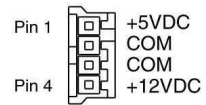
- | | | |
|-----------------------|------------------------|--------------------|
| +12V = yellow | +5VSB = brown | -5V = white |
| +5V = red | PS_ON# = gray | -12V = blue |
| +3.3V = purple | PWR_OK = orange | COM = black |



+12V 8P Power Connector



Peripheral Power Connector



Floppy Drive Power Connector

